

**ORDERING
INFORMATION
INCLUDED**



IP SYSTEM

for the best performance

**VIDEO DOOR
ENTRY SYSTEM**



#ImprovingLives

bticino

A brand of **legrand**

Global strength

built on local knowledge



LEGRAND TRANSFORMS THE SPACES WHERE PEOPLE LIVE, WORK AND MEET

We're meeting the world's technological, social and environmental challenges by pursuing our purpose: to improve lives with electrical and digital infrastructures and connected solutions that are simple, innovative and sustainable.

LEGRAND IN THE UK & IRELAND

We have been manufacturing in the UK since 1980 and our six manufacturing sites create mechanical, electrical, electronic and digital solutions.

With specialist sales people who have a thorough understanding of your industry and our team of engineers on the road to help with project management, commissioning, maintenance and any post-build challenges, we're with you every step of the way.

At Legrand we are committed to improving lives and this means creating a more sustainable world for everybody.

To achieve this, reducing our carbon footprint and developing a circular economy approach within our activities are our priorities.

In addition, we are committed to promoting diversity and inclusion, while being a responsible business in our day-to-day relationships with all our stakeholders, especially our employees, customers and suppliers.



**CORPORATE SOCIAL
RESPONSIBILITY**
LEGRAND



OPENING DOORS SINCE 1921

Bticino is a global specialist in door entry systems and other electrical and digital infrastructure solutions.

Through substantial innovations, modern design thinking and attention to problem solving, Bticino has become a well-known brand in more than 60 countries around the world.

Bticino now offers both IP and 2 wire door entry systems, allowing you to pick the perfect system to best suit your project.

2 wire system

- Perfect for retrofit and small to medium sized projects
- Simple cabling
- Time saving



IP system

- Perfect for large and complex installations
- Can integrate with CCTV and lifts
- Advanced access control



THE HISTORY OF **bticino**

A brand of **legrand**

- 1921 ○ TERRANE0 ESTABLISHED
- 1936 ○ TICINO ELECTRIC SWITCHES FORMED
- 1950 ○ DEVELOPED ANALOGUE SYSTEMS
- 1974 ○ TICINO BECAME BASSANI TICINO AND LATER BTICINO
- 1984 ○ BTICINO ACQUIRED TERRANE0
- 1989 ○ LEGRAND ACQUIRED BTICINO
- 1998 ○ LEGRAND UK LAUNCHED BTICINO DOOR ENTRY to the UK market
- 1999 ○ INNOVATION Developed BUS systems
- 2016 ○ Developed the **FIRST WI-FI CONNECTED** and end user configured **VIDEO** internal UNIT
- TODAY ○ **CONTINUOUS INNOVATION** to develop products that focus on the needs of developers, installers and end clients

A JOURNEY THROUGH DESIGN

IP SYSTEM

for the best performance

The perfect solution for large residential developments with a high number of apartments, able to guarantee performance over long distances and high video signal quality.



Wide range of products with flexible and scalable solutions to satisfy every building's needs.

SPECIFICATIONS AND FUNCTIONALITIES

Multichannel: for simultaneous conversations (no busy lines)

High definition video quality: up to 1280 x 720

Technology: IP protocol (SIP/TCP)

Cables: FTP and UTP (CAT5 - CAT5E - CAT6) - Fibre optic

Configuration: easy and quick configuration with dedicated software

Integration: ONVIF IP Cameras, lift control, alarm sensors

Home + Security app: answer incoming calls and activate door locks from a smartphone

MULTIPLE WAYS TO CALL THE APARTMENT

STANDARD CALL
Area-Building-Riser
Floor-Apartment

ALPHANUMERIC CALL
Create codes with
numbers and letters

ADDRESS BOOK
With contact list
(touch displays only)



ACCESS THE BUILDING IN SEVERAL WAYS



FACE RECOGNITION



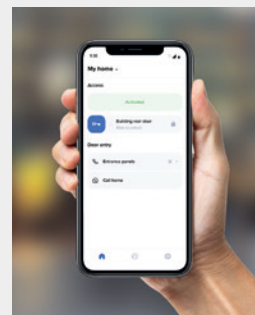
FINGERPRINT



RFID CARD AND KEY FOB



ACCESS CODE



SMARTPHONE



INTEGRATIONS



INTEGRATE WITH ONVIF IP CAMERAS

Using the Guard Station (concierge) it is possible to monitor all IP cameras in common areas. Residents can monitor private and common area ONVIF IP cameras from their internal unit.



INTEGRATE WITH LIFT CONTROL

With a choice of integration devices, lifts can be called ready to take visitors directly to the floor of the called apartment.

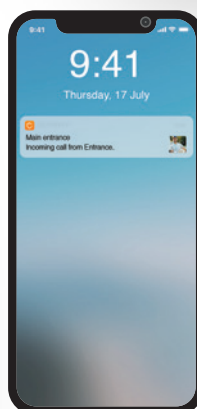
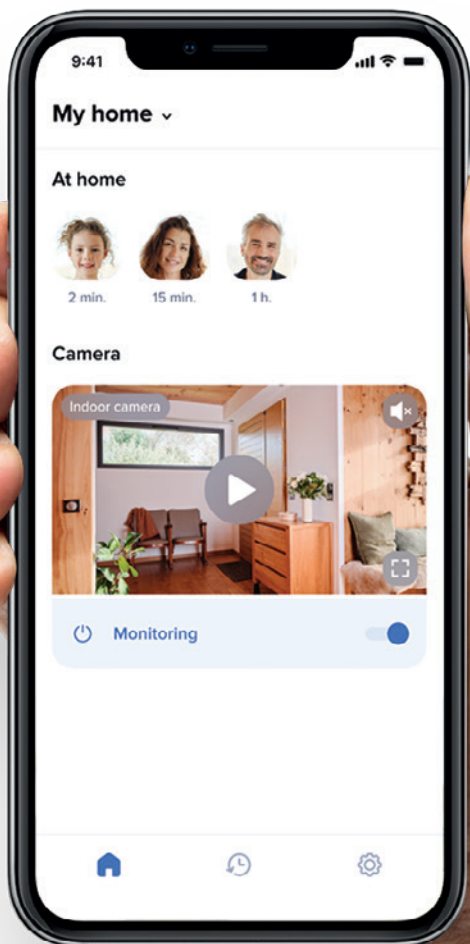
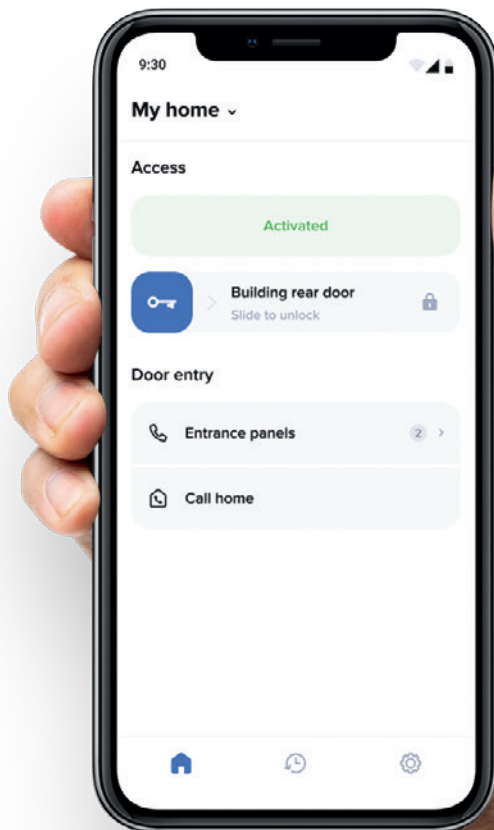


Always aware with the **Home + Security app**

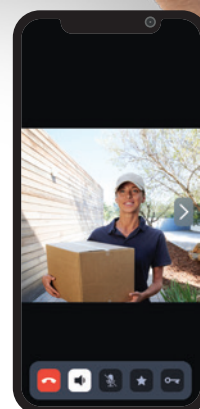


THE BEST APP FOR A SAFE HOME

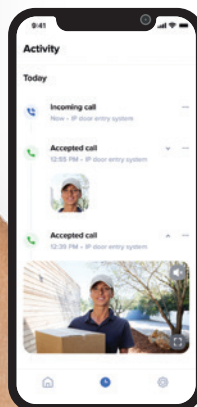
Alerts and notifications for incoming calls, event information and door lock management with a simple and intuitive interface.



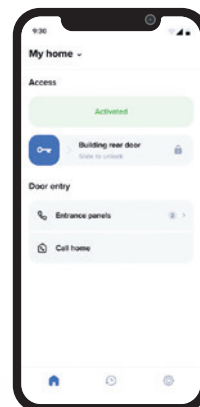
INCOMING CALL



SEE WHO'S CALLING



CHECK EVENTS



QUICK ACTIONS

10 & 7 INCH

PREMIUM TOUCH SCREEN INTERNAL UNITS



MAIN FEATURES

- High-end and elegant design
- User friendly interface with icons
- Homepage with main functions, favourites, notifications and info
- Security functions (SOS push buttons and possibility to connect up to 8 alarm sensors)
- Flashing LED for notifications
- Surface mounted installation



10" touch display



7" touch display

ADVANCED FEATURES

- Internal camera for video intercom call between apartments and Guard Station (concierge)
- **Home + Security app:** answer incoming calls and control door locks from a smartphone



10" touch display with camera



7" touch display with camera

7 INCH

TOUCH SCREEN INTERNAL UNITS



MAIN FEATURES

- Discrete design
- User friendly interface with icons
- Homepage with main functions, favourites, notifications and info
- Security functions (possibility to connect up to 8 alarm sensors)
- Surface mounted installation



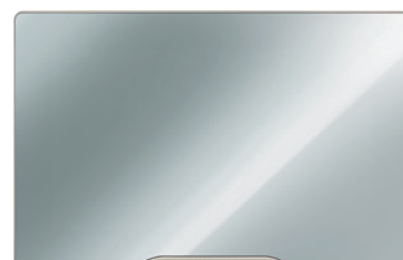
7" touch display Black finish



7" touch display Champagne Gold finish

ADVANCED FEATURES

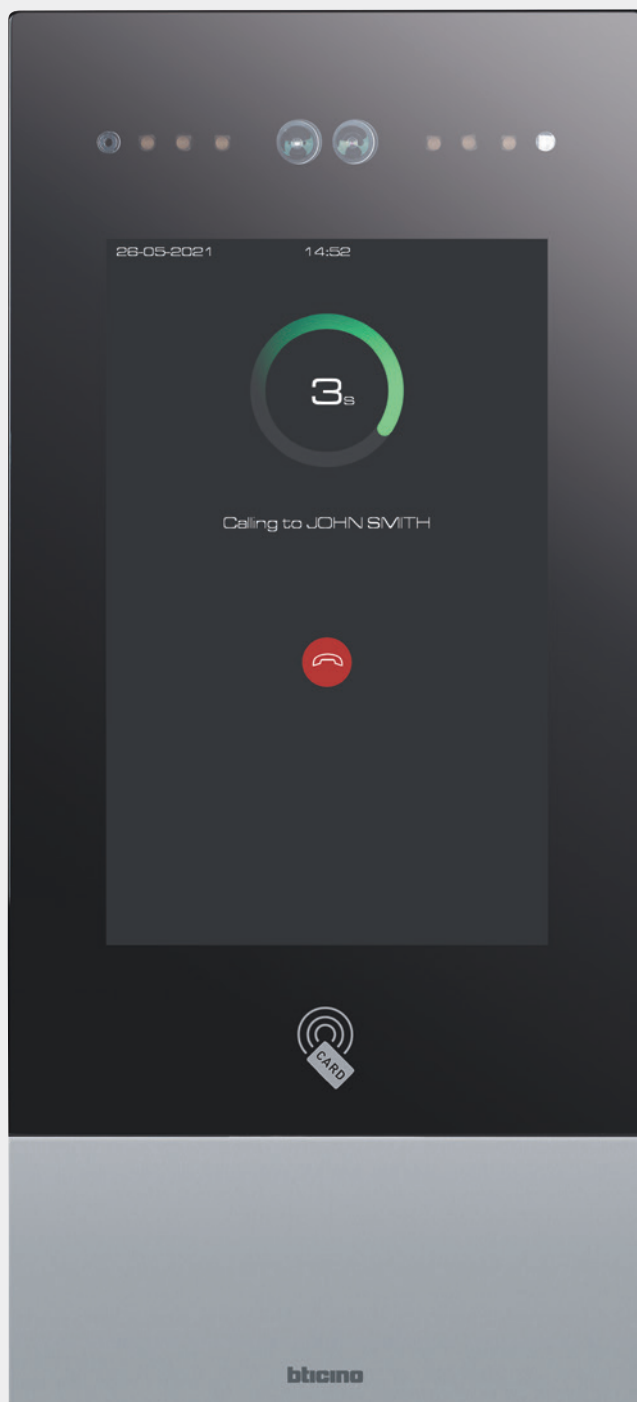
- **Home + Security app:** answer incoming calls and control door locks from a smartphone



7" touch display
Mirror finish

TOUCH SCREEN ENTRANCE PANELS

WITH 10 INCH TOUCH DISPLAY



MAIN FEATURES

- A graphically engaging interaction via the large touch screen display
- Different calling modes
- Customisable graphic advertisement carousel and info
- Flush mounted installation

ADVANCED FEATURES

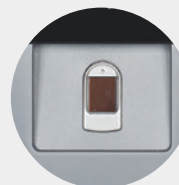
- 3D face recognition with liveness detection



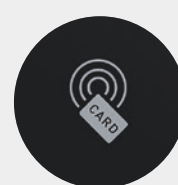
Entrance panel with code, card and key fob reader



Entrance panel with code, card - key fob - fingerprint reader and face recognition



Fingerprint reader



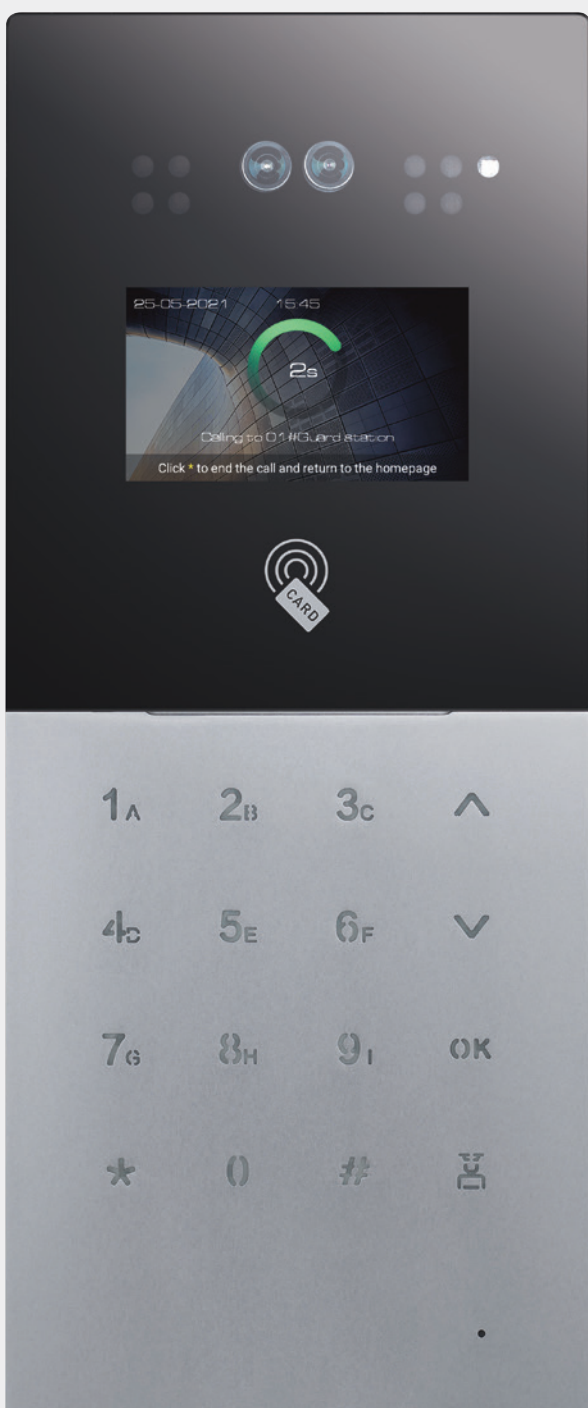
RFID card & key fob reader



3D face recognition

KEYPAD ENTRANCE PANEL

WITH 4.3 INCH DISPLAY AND KEYPAD

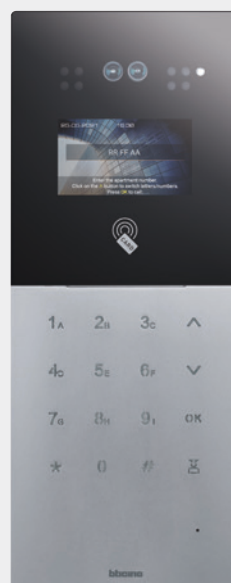


MAIN FEATURES

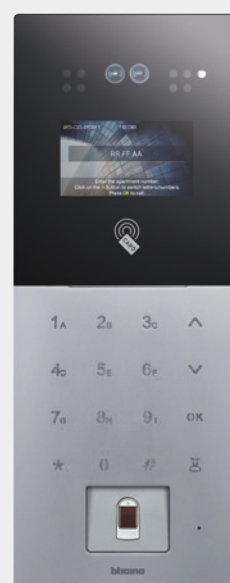
- Simplified interaction via large touch keypad
- Different calling modes
- Flush mounted installation

ADVANCED FEATURES

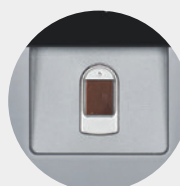
- 3D face recognition with liveness detection



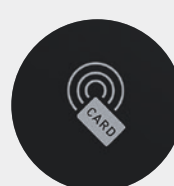
Entrance panel with code, card and key fob reader



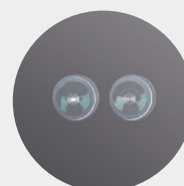
Entrance panel with code, card - key fob - fingerprint reader and face recognition



Fingerprint reader



RFID card & key fob reader



3D face recognition

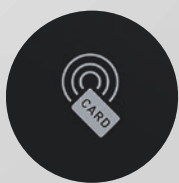
MINI ENTRANCE PANELS



SUITABLE AS A
**BUILDING AND
SINGLE APARTMENT**
ENTRANCE PANEL

MAIN FEATURES

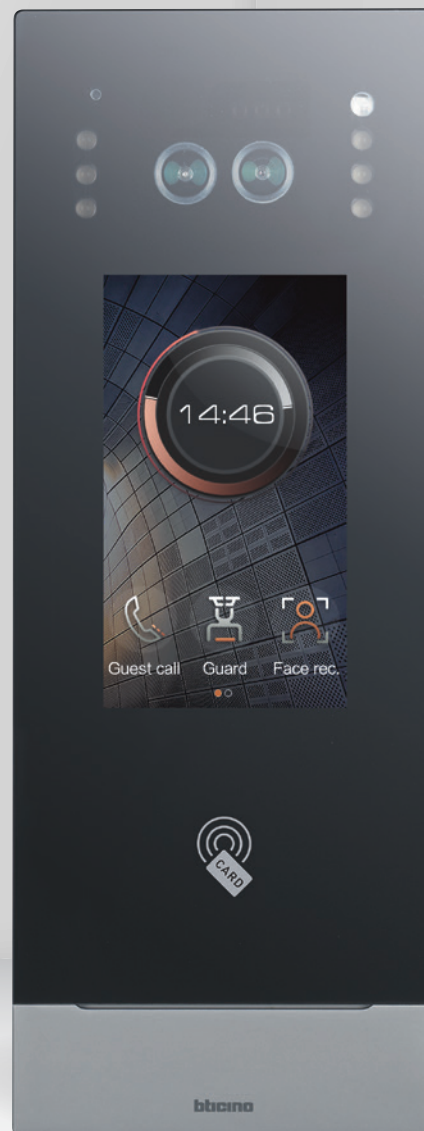
- 4.3" touch display
- Different call modes
- Direct call to Guard Station (concierge)
- RFID card and key fob reader
- Face recognition
- Code access



RFID card &
key fob reader



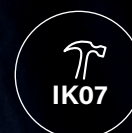
3D face
recognition





SUITABLE FOR INDOOR INSTALLATIONS

Ideal as a single apartment entrance panel and to access common areas in residential buildings.



MAIN FEATURES

- Direct call to the apartment
- Direct call to the Guard Station (concierge)
- RFID card and key fob reader

GUARD STATION

High resolution video table-top Guard Station (concierge). 10" full touch LCD display with icons menu and handset. It manages incoming calls from entrance panels with the possibility to transfer calls to internal units or other Guard Stations. From the touch display, it is possible to see the call and alarm history, monitor alarm records and SOS calls from internal units, monitor IP cameras installed in common areas and entrance panel cameras.



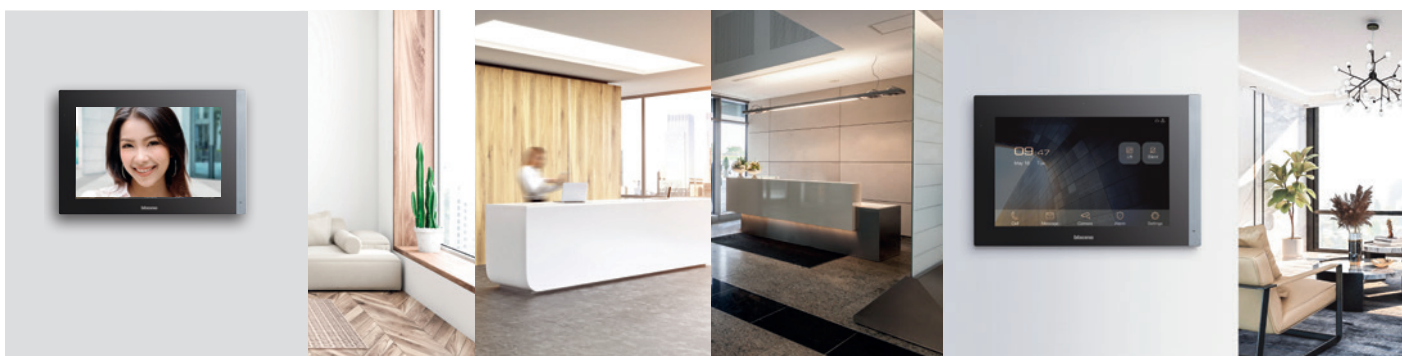
Integrated camera for video intercom with apartments and other Guard Stations



CALL FROM THE ENTRANCE PANEL

IP & ENTRANCE PANEL CAMERA MONITORING

EMERGENCY AND GENERIC ALARM PROCESSING



CALL TRANSFER & INTERCOM

COMMUNICATION & SYSTEM MANAGEMENT WITH MULTIPLE GUARD STATIONS

USER FRIENDLY INTERFACE

MAIN ACCESSORIES

Power supply

100-240 V with metal box; can be operated as an auxiliary power supply. Protected against short circuits: in case of DC output short circuit, the device will switch to protected mode. Wall mounted installation.

Power supply



PoE (Power over Ethernet) switch

10/100 Mbps. 8 PoE ports and 1 non-PoE uplink port is used for network communication and Includes 24 V - 100 W power supply. DIN mounted installation (total of 14 DIN modules).

DIN PoE switch



Server DES (Door Entry System) with configuration software

Must be installed in the building under the VLAN Network of the DES IP System to create, configure and update the entire installation.

Server DES



USB key for face registration

To be inserted in Server DES to enable face registration and to provide access mode for face recognition.

CONFIGURATION BY SOFTWARE

Dedicated software for the configuration of the system, which can create the topology of the installation, set device parameters and associate them easily with physical devices using a bar code scan tool, making the installation process error proof.



SETUP of the COMMUNITY
network and general information

SETUP of ALL PARAMETERS
to customise the installation

SYSTEM TOPOLOGY CREATION and device association

Diagnostics, maintenance and updates can be performed using any PC capable of accessing the DES site server's configuration web page



The label on each device can be scanned to create a quick association between the server topology. The system will then print a label, containing information of where it must be installed, to be attached to the packaging. This will guarantee an error proof installation.

DAILY MANAGEMENT

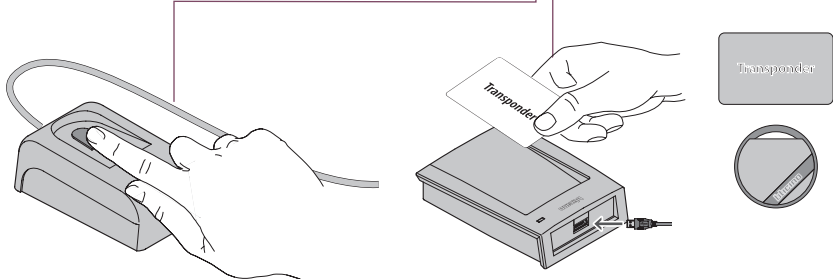
Using a PC connected to the DES site server via its web page, the Guard Station (concierge) operator can update and modify residents' information including access control rights and methods. It is also possible to send messages to internal units, and change and update the advertising carousel and screensavers on the entrance panels.

Registration, modification and update of the **RESIDENTS' INFO**



Sending **MESSAGES & INFO** to the apartments

ALARMS Management & history



Fingerprint reader for programming

Card & key fob reader for programming

IP system – entrance panels

features and functions selection chart

ENTRANCE PANELS	10" TOUCH DISPLAY		4.3" DISPLAY WITH KEYPAD		MINI ENTRANCE PANELS		
							
Cat. Nos.	3740 00	3740 02	3740 01	3740 03	3740 04	3740 06	3740 05
Colour video	•	•	•	•	•	•	•
Flush mounted installation (except Cat. No. 3740 06)	With accessory 3750 07	With accessory 3750 07	With accessory 3750 06	With accessory 3750 06	With accessory 3750 08	Surface mounted	With accessory 3750 09
Capacitive button call			•	•	•	•	
Touch display	•	•					•
Keypad			•	•			
Direct call to apartment	•	•			•	•	•
3D face recognition	•		•				•
Fingerprint reader	•		•				
RFID key fob reader	•	•	•	•	•	•	•
Ingress protection rating	IP54	IP54	IP54	IP54	IP54	IP54	IP54
Impact protection rating	IK07	IK07	IK07	IK07	IK07	IK07	IK07

IP system – entrance panels



 Selection chart **p. 18**
Dimensions and technical information **p. 25-28**

Pack	Cat. Nos.	Video entrance panels with 10" display	Pack	Cat. Nos.	Mini video entrance panels
1	3740 00	<p>Video entrance panel with 10" touch display, double face recognition camera, fingerprint reader and key fob reader for access control functions</p> <p>Use touch display to make calls to apartments and Guard Station (concierge) and enter access code to release the lock Configuration of different calling modes : - Apartment code (Area - Building - Riser - Floor - Apartment) - Numeric or alphanumeric codes for residents - Address book with contact list Enter settings menu with a specific code for maintenance and managing settings (e.g. backlight brightness, ring volume, speaker volume, touch volume, screensaver time) Upload customised screensavers and advertisements using the configuration software Panel can be PoE 24 V (power over Ethernet) powered, or directly using power supply (Cat. No. 3750 05 see. p. 24) Flush mounted installation using dedicated box (A)¹ (Cat. No. 3750 07 see. p. 24)</p>	1	3740 04	<p>Mini video entrance panel for indoor installation with key fob reader and touch buttons for internal unit and Guard Station (concierge) calls</p> <p>Panel can be PoE 24 V (power over Ethernet) powered, or directly using power supply (Cat. No. 3750 05 see. p. 24) Flush mounted installation using dedicated box (C)¹ (Cat. No. 3750 08 see. p. 24)</p>
1	3740 02	<p>Video entrance panel with 10" touch display and key fob reader for access control functions</p>	1	3740 05	<p>Mini video entrance panel with 4.3" vertical touch display, face recognition and key fob reader for access control functions</p> <p>Use touch display to make calls to apartments and Guard Station (concierge) and enter access code to release the lock Possible calling modes : - Apartment code (Area - Building - Riser - Floor - Apartment) - Numeric or alphanumeric codes for residents - Address book with contact list Settings menu for maintenance and managing settings (e.g. backlight brightness, ring volume, speaker volume, touch volume, screensaver time) Upload customised screensavers using the configuration software Device can be PoE 24 V (power over Ethernet) powered, or directly using power supply (Cat. No. 3750 05 see. p. 24) Flush mounted installation using dedicated box (D)¹ (Cat. No. 3750 09 see. p. 24)</p>
1	3740 01	<p>Video entrance panels with 4.3" display</p> <p>Use keypad to make calls to apartments and Guard Station (concierge) and enter access code to release the lock Possible calling modes : - Apartment code (Area - Building - Riser - Floor - Apartment) - Numeric or alphanumeric codes for residents Enter settings menu with a specific code for maintenance and managing settings (e.g. backlight brightness, ring volume, speaker volume, button volume, screensaver time) Upload customised screensavers using the configuration software Panel can be PoE 24 V (power over Ethernet) powered, or directly using power supply (Cat. No. 3750 05 see. p. 24) Flush mounted installation using dedicated box (B)¹ (Cat. No. 375006 see. p. 24)</p>	1	3740 06	<p>Mini video entrance panel with key fob reader and touch buttons for internal unit and Guard Station (concierge) calls</p> <p>The mini video entrance panel can be PoE 24 V (power over Ethernet) powered, or directly using power supply (Cat. No. 3750 05 see. p. 24) Surface mounted installation using support with rainshield included</p>
1	3740 03	<p>Video entrance panel with 4.3" display, keypad with numbers and letters (A-I), double face recognition camera, fingerprint reader and key fob reader for access control functions</p>			
1	3740 03	<p>Video entrance panel with 4.3" display, keypad with numbers and letters (A-I) and key fob reader for access control functions</p>			

1 : A / B / C / D – for specific types of flush mounting boxes see p. 24

IP system – premium internal units

features and functions selection chart

PREMIUM INTERNAL UNITS	10" TOUCH DISPLAY		7" TOUCH DISPLAY	
				
Cat. Nos.	3730 01	3730 03	3730 02	3730 04
Touch screen colour video	•	•	•	•
Hands free	•	•	•	•
Display	LCD 10"	LCD 10"	LCD 7"	LCD 7"
Indoor camera	•		•	
Answering machine	•	•	•	•
Alarm management	•	•	•	•
SOS function	•	•	•	•
Door lock release	•	•	•	•
Entrance panel camera activation	•	•	•	•
Intercom	•	•	•	•
Integration with Home + Security app	•	•	•	•
Audio messages	•	•	•	•
Type of installation	Surface mounted	Surface mounted	Surface mounted	Surface mounted
Power supply	PoE 24 V Cat. No. 3750 02 or power supply Cat. No. 3750 05	PoE 24 V Cat. No. 3750 02 or power supply Cat. No. 3750 05	PoE 24 V Cat. No. 3750 02 or power supply Cat. No. 3750 05	PoE 24 V Cat. No. 3750 02 or power supply Cat. No. 3750 05

IP system – internal units

features and functions selection chart

INTERNAL UNITS	7" TOUCH DISPLAY			
				
Cat. Nos.	3730 05	3730 06	3730 07	3730 08
Touch screen colour video	•	•	•	•
Hands free	•	•	•	•
Finishes / Colours	Black	Champagne gold	Mirror	Black
Display	LCD 7"	LCD 7"	LCD 7"	LCD 7"
Indoor camera				
Answering machine	•	•	•	•
Alarm management	•	•	•	•
SOS function				
Door lock release	•	•	•	•
Entrance panel camera activation	•	•	•	•
Intercom	•	•	•	•
Integration with Home + Security app	•	•	•	•
Audio messages	•	•	•	•
Type of installation	Surface mounted	Surface mounted	Surface mounted	Surface mounted
Power supply	PoE 24 V Cat. No. 3750 02 or power supply Cat. No. 3750 05	PoE 24 V Cat. No. 3750 02 or power supply Cat. No. 3750 05	PoE 24 V Cat. No. 3750 02 or power supply Cat. No. 3750 05	PoE + 48 V

IP system – internal units



3730 01



3730 02



3730 05



3730 06



3730 03



3730 04



3730 07



Selection chart **p. 20-21**

Dimensions and technical information **p. 29**

Pack	Cat. Nos.	Video internal units – premium
1	3730 01	<p>Use touch display to answer calls, release the lock, call other apartments and Guard Station (concierge), view call and alarm logs, leave audio messages, receive messages from the Guard Station (concierge), adjust settings (e.g. brightness, screensaver, backgrounds and ringtone) and view date/time information Alarm management can be integrated using 8 pre-configured contacts Integration with ONVIF IP cameras means IP cameras in the apartment and common areas can be viewed from the internal unit Control of lift is possible with accessory (see p. 24) It is possible to associate the video internal unit to the Home + Security app (available for Android and iOS) The app allows functions such as : receiving calls, door lock release, display of the event timeline and activation of the entrance panel With the Home + Security app, it is also possible to manage the Netatmo security range (outdoor and indoor cameras, door and window sensors, indoor siren) This allows you to quickly and easily create a smart security system The internal unit can be PoE 24 V (power over Ethernet) powered, or directly using power supply (Cat. No. 3750 05 see. p. 24) Surface mounted using the supplied bracket</p> <p>10" touch display premium internal unit with internal camera and SOS push button</p>
1	3730 02	<p>7" touch display premium internal unit with internal camera and SOS push button</p>
1	3730 03	<p>10" touch display premium internal unit with SOS push button</p>
1	3730 04	<p>7" touch display premium internal unit with SOS push button</p>

Pack	Cat. Nos.	Video internal units
1	3730 05	<p>Use touch display to answer calls, release the lock, call other apartments and the Guard Station (concierge), view call and alarm logs, leave audio messages, receive messages from the Guard Station (concierge), adjust settings (e.g. brightness and ringtone) and view date/time information Alarm management can be integrated using 8 pre-configured contacts Integration with ONVIF IP cameras means IP cameras in the apartment and common areas can be viewed from the internal unit Control of lift is possible with accessory (see p. 24) It is possible to associate the video internal unit to the Home + Security app (available for Android and iOS) The app allows functions such as : receiving calls, door lock release, display of the event timeline and activation of the entrance panel With the Home + Security app, it is also possible to manage the Netatmo security range (outdoor and indoor cameras, door and window sensors, indoor siren) This allows you to quickly and easily create a smart security system The internal unit can be PoE 24 V (power over Ethernet) powered, or directly using power supply (Cat. No. 3750 05 see. p. 24) Surface mounted using the supplied bracket</p> <p>7" touch display internal unit, black finish</p>
1	3730 06	<p>7" touch display internal unit, champagne gold finish</p>
1	3730 07	<p>7" touch display internal unit, mirror finish</p>

IP system – internal units (continued)



3730 08

IP system – Guard Station and system accessories



3750 00



3750 01



3482 00



3482 01



3482 02



3482 03



3482 04




3482 05



3482 06

 Selection chart **p. 20-21**
Dimensions and technical information **p. 29**

Pack	Cat. Nos.	Video internal units – 7” PoE + 48 V powered
1	3730 08	<p>Use touch display to answer calls, release the lock, call other apartments and the Guard Station (concierge), view call and alarm logs, leave audio messages, receive messages from the Guard Station, adjust the settings (e.g. brightness and ring tone), and view date/time information</p> <p>Alarm management can be integrated using 8 pre-configured contacts</p> <p>Integration with ONVIF CCTV IP cameras means IP cameras in the apartment and common areas can be viewed from the internal unit</p> <p>Control of lift is possible with accessory (see p. 24)</p> <p>It is possible to associate the video internal unit to the Home + Security app (available for Android and iOS)</p> <p>The app allows functions such as : receiving calls, door lock release, display of the event timeline and activation of the entrance panel</p> <p>With the Home + Security app, it is also possible to manage the Netatmo security range (outdoor and indoor cameras, door and window sensors, indoor siren)</p> <p>This allows you to quickly and easily create a smart security system</p> <p>The indoor unit is 48 V PoE (power over Ethernet) powered</p> <p>Surface mounted using the supplied bracket</p>
		7” PoE powered internal unit, black finish

 Dimensions and technical information **p. 30**

Pack	Cat. Nos.	Guard Station (concierge) with 10” touch display and handset
1	3750 00	<p>Use touch display to : answer and transfer calls, view call logs, release the locks, monitor IP cameras installed in common areas, monitor and process alarms</p> <p>From the settings menu, it is possible to adjust Guard Station settings, like volume and display brightness and carry out functionality and network tests</p> <p>Quick and scheduled absence can be activated to transfer the call to another Guard Station or to apartments if needed</p> <p>The Guard Station can be PoE 24 V (power over Ethernet) powered, or directly using power supply (Cat. No. 3750 05 see p. 24)</p>
		System accessories
1	3750 01	<p>Server DES (door entry system) including configuration and management software</p> <p>Must be installed in the building under the VLAN network of the IP door entry system</p> <p>Configuration software must be used to create, configure and update the entire installation</p> <p>Software can be used to create the topology; entrance panels, Guard Station and internal units are associated to the corresponding position in an easy and quick way using a scan tool</p> <p>Allows the programming of access control tools such as: key fobs and cards, fingerprint and face recognition</p> <p>Software is also used to : program access control for new residents, view alarm logs, send messages to internal units, upload advertisements and screensavers and synchronise time/date details on all devices</p>
1	3750 03	<p>Reader for programming card and key fobs for building access control</p> <p>Compatible with RFID key fobs Cat. No. 3482 00 to ..06, available in different colours</p> <p>Programming and associating key fobs to residents requires the use of the configuration software</p>
1	3750 04	<p>Reader for registering fingerprints for building access control</p> <p>Registering and associating residents' fingerprints requires the use of the configuration software</p>
		Door lock release key fobs
10	3482 00	● Black
10	3482 01	● Red
10	3482 02	● Green
10	3482 03	● Blue
10	3482 04	● Orange
10	3482 05	● Grey
10	3482 06	● Yellow



Dimensions and technical information **p. 30-31**

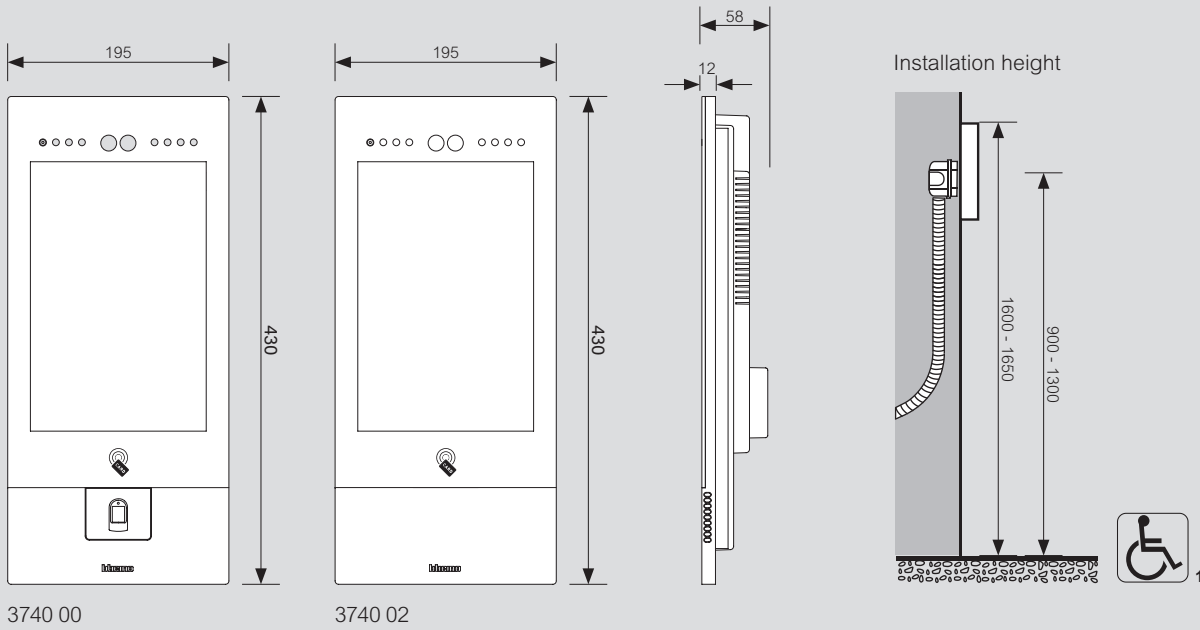
Pack	Cat. Nos.	Accessories	Pack	Cat. Nos.	Accessories (continued)
1	3750 02	PoE (Power over Ethernet) switch With 10 / 100 Mbps, 8 PoE ports and 1 non-PoE port uplink and 24 V-100 W power supply PoE port is used for network communication and as power supply DIN mounted installation (total of 14 DIN modules)	1	SP11	Plug-in power supply For IP server Cat. No. 3750 01 (see p. 23) Input 100 240 Vac @ 50 60 Hz Output 19 Vdc Length of connection cable with IP server = 1 200 mm
1	3750 05	Power supply 100 W With metal box; can be operated as an auxiliary power supply Protected against short circuits: in case of DC output short circuit, the device will switch to protected mode Wall mounted installation	1	3750 12	PoE converter For Bticino IP door entry system devices with 24 V PoE to be installed in standard PoE + 48 V network
1	3750 06	Metal box (B)¹ for video entrance panel For 4.3" display and keypad, flush mounted installation Compatible with Cat.Nos. : - 3740 01 (see p. 19) video entrance panel with 4.3" display and keypad, with face recognition and fingerprint - 3740 03 (see p. 19) video entrance panel with 4.3" display and keypad	1	3750 13	Lift control relay interface With 8 relays to integrate the IP door entry system with the building elevator system in order to enable the lift call after the resident answers the call and releases the door lock The configuration is made directly in the IP door entry system configuration tool included on the Server DES (Cat. No. 3750 01 see p. 23) NOTE : INSTALLATION AND CONNECTIONS MUST BE ALWAYS PERFORMED ACCORDINGLY TO THE LIFT TYPE
1	3750 07	Metal box (A)¹ for video entrance panel For 10" touch display, flush mounted installation Compatible with Cat.No. : - 3740 00 (see p. 19) video entrance panel with 10" touch display with face recognition and fingerprint - 3740 02 (see p. 19) video entrance panel with 10" touch display			
1	3750 08	Metal box (C)¹ for mini video entrance panel Flush mounted installation Compatible with Cat.No. 3740 04 (see p. 19)			
1	3750 09	Metal box (D)¹ for mini video entrance panel For 4.3" vertical touch display, flush mounted installation Compatible with Cat.No. 3740 05 (see p. 19)			
1	3750 10	Lift control RS 485 interface To integrate lift function in IP door entry system Configuration is completed using a dedicated software, the interface is connected via RS 485 cable to the entrance panel and the lift			
1	3750 11	USB key To be inserted on Server DES (door entry system) Cat. No. 3750 01 (see p. 19) to enable face registration and to provide access mode for face recognition in the installation At least one of the following devices must be present in the installation : external push button panel with 10" touch display with face recognition and fingerprint (Cat. No. 3740 00 see p. 19), external push button panel with keyboard, facial recognition and fingerprint (Cat. No. 3740 01 see p. 19) or small push button panel with 4.3" touch display (Cat. No. 3740 05 see p. 19)			

IP system

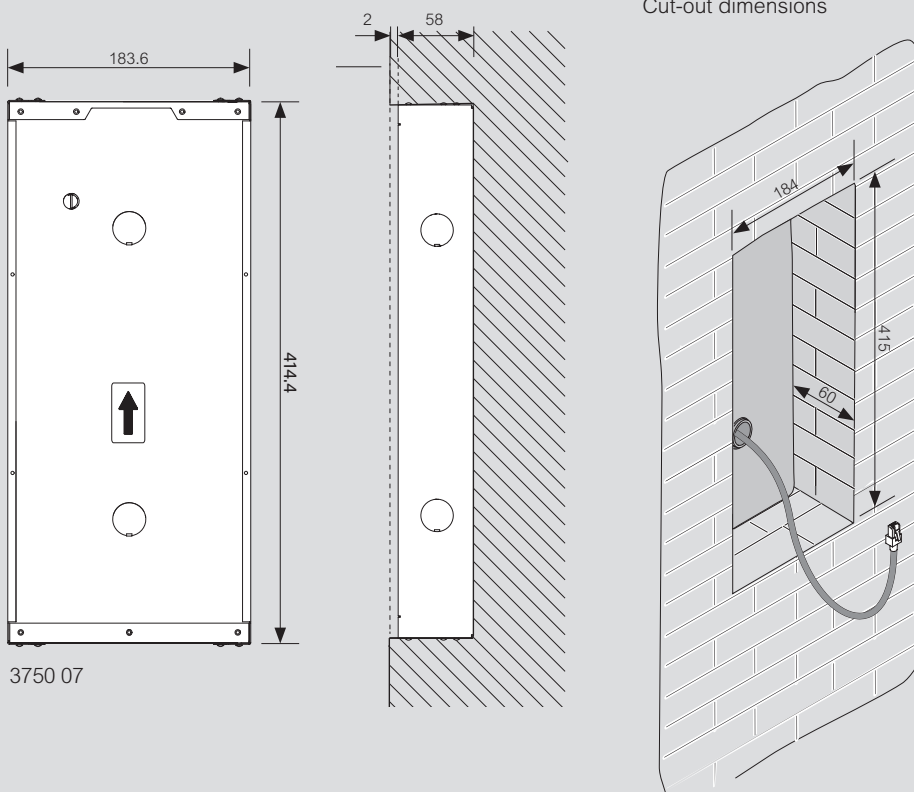
dimensions and technical information

Entrance panels

Video entrance panels with 10" display



Metal box for video entrance panel



All dimensions (mm) are nominal

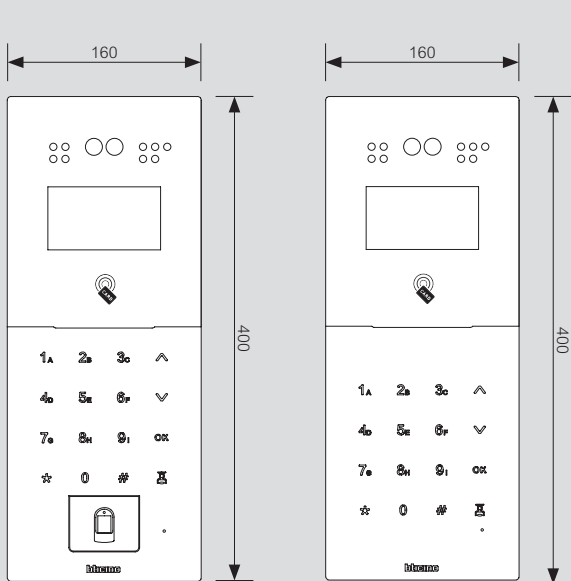
1 : Recommended installation height

IP system

dimensions and technical information

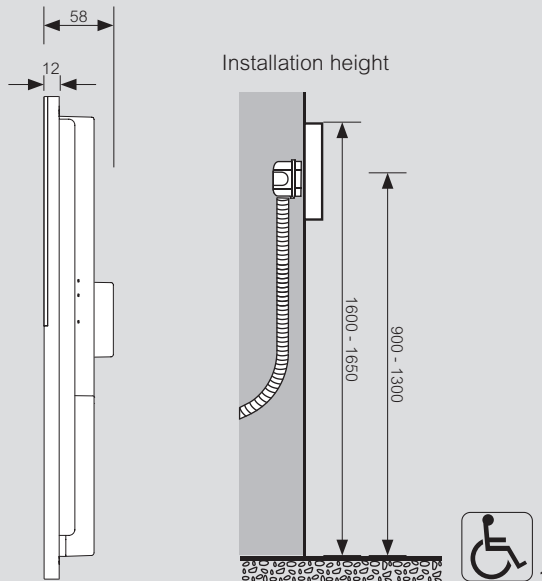
Entrance panels (continued)

Video entrance panels with 4.3" display

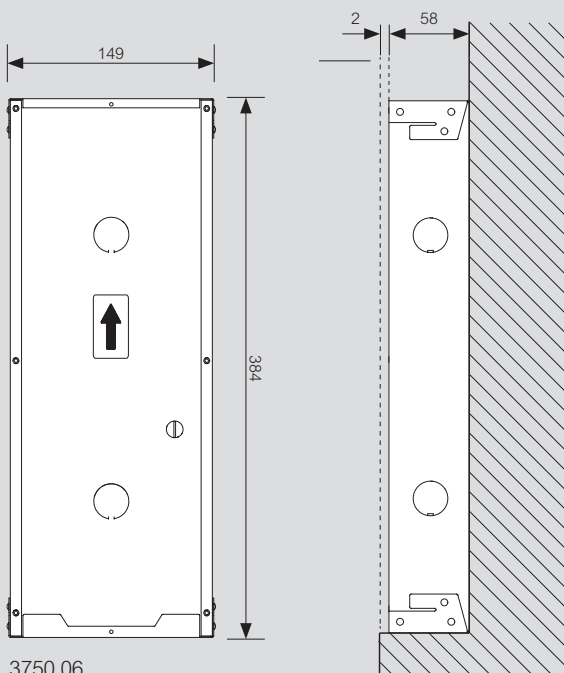


3740 01

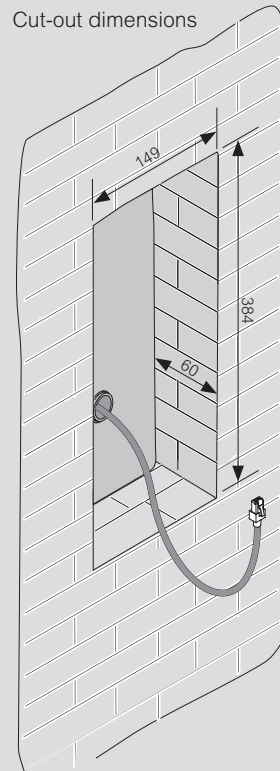
3740 03



Metal box for video entrance panel



3750 06

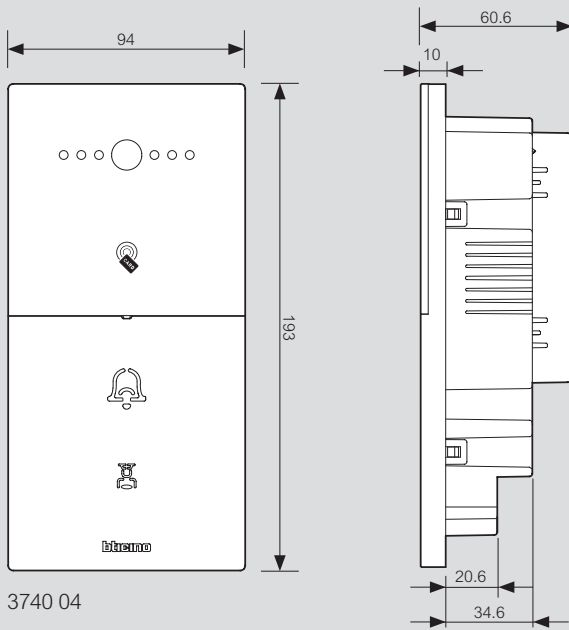


IP system

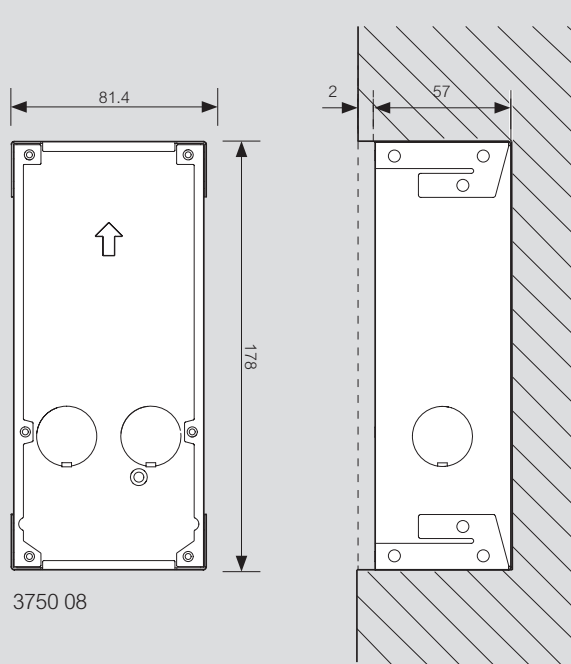
dimensions and technical information

■ Mini entrance panels

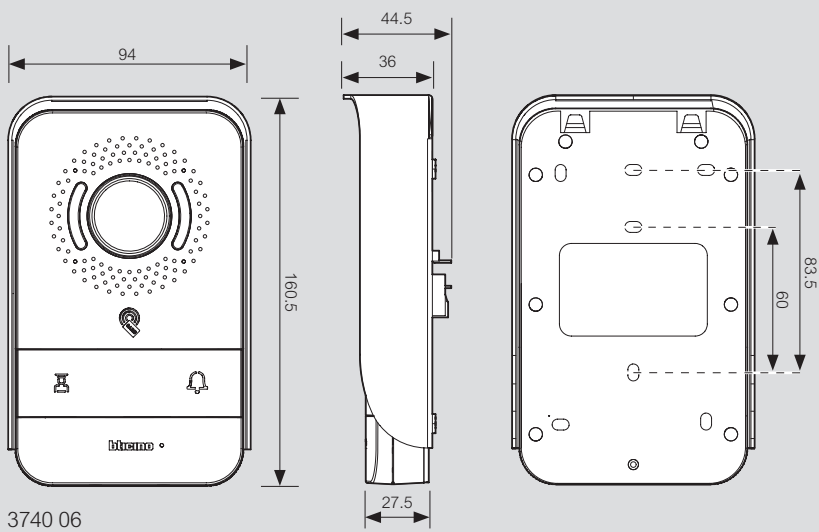
Small video entrance panel for indoor installation



Metal box for mini video entrance panel



Mini video entrance panel surface mounted



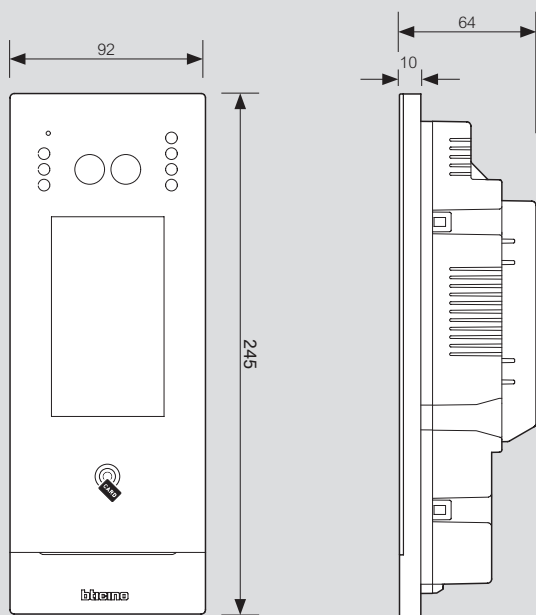
All dimensions (mm) are nominal

IP system

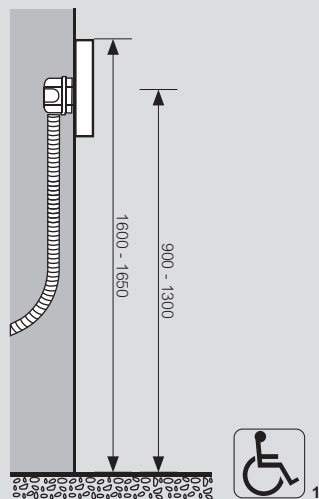
dimensions and technical information

■ Mini entrance panels (continued)

Mini video entrance panel with 4.3" vertical touch display

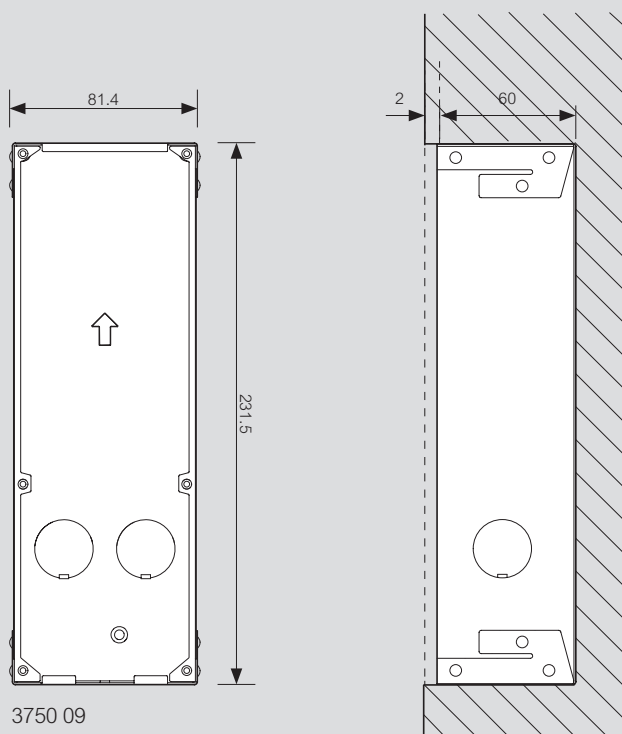


Installation height

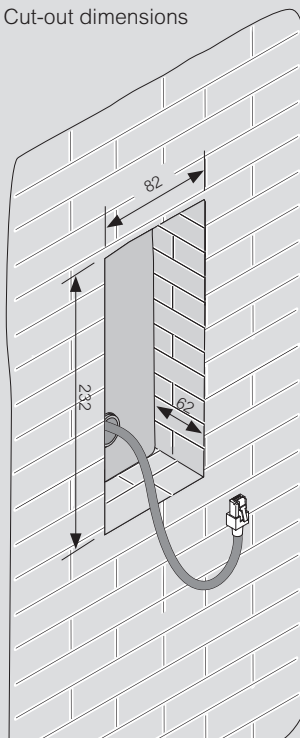


3740 05

Metal box for mini video entrance panel



Cut-out dimensions



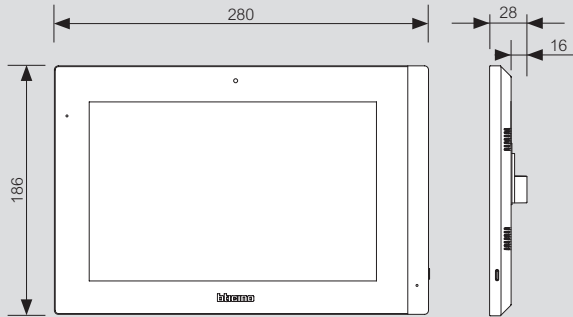
3750 09

IP system

dimensions and technical information

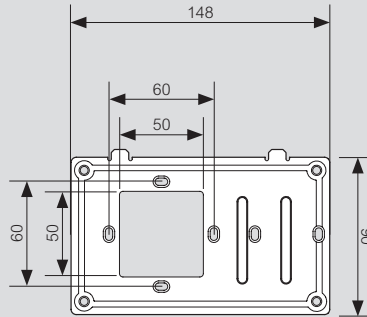
Internal units

10" touch display premium internal unit

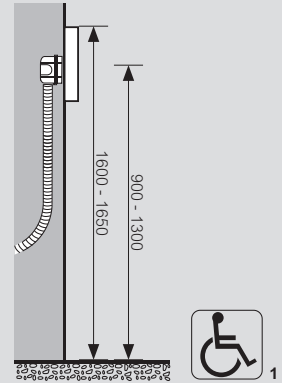


3730 01 - 3730 03

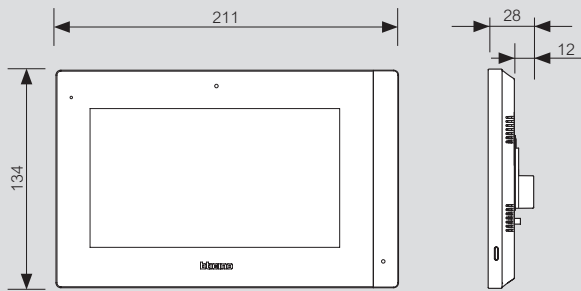
Wall mounting bracket



Installation height

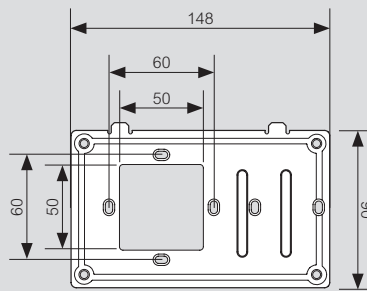


7" touch display premium internal unit

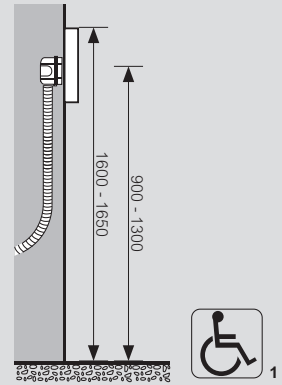


3730 02 - 3730 04

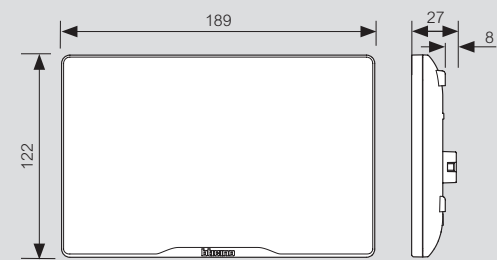
Wall mounting bracket



Installation height

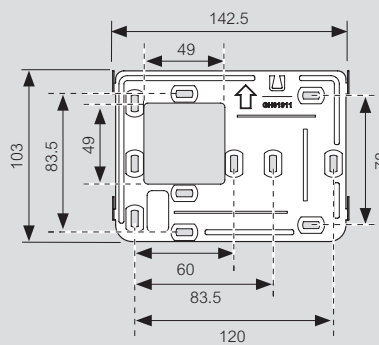


7" touch display internal unit

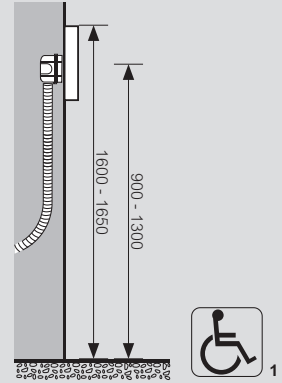


3730 05 - 3730 06 - 3730 07 - 3730 08

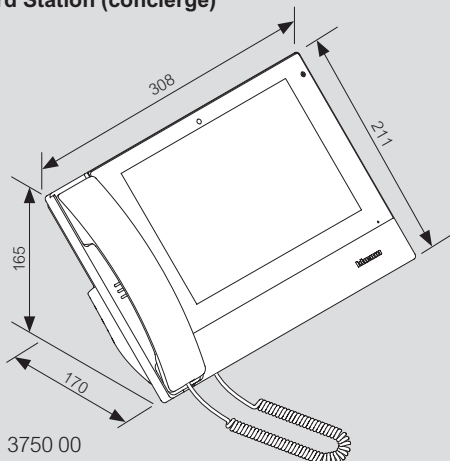
Wall mounting bracket



Installation height



Guard Station (concierge)



3750 00

All dimensions (mm) are nominal

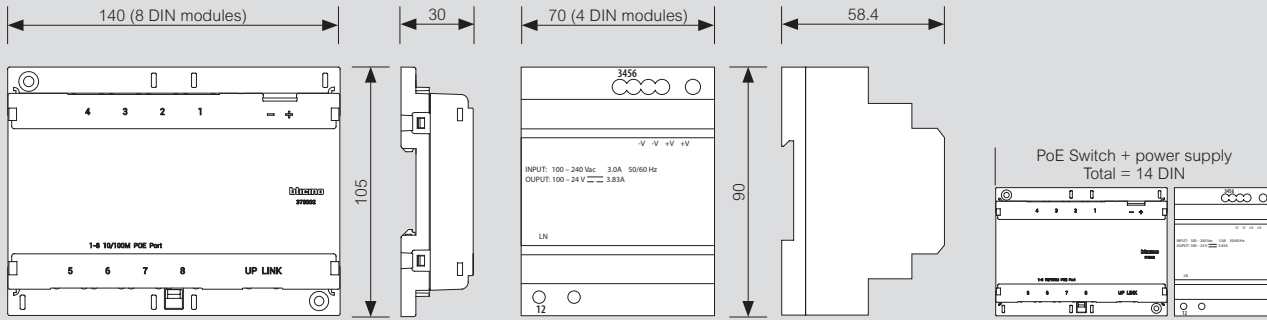
1 : Recommended installation height

IP system

dimensions and technical information

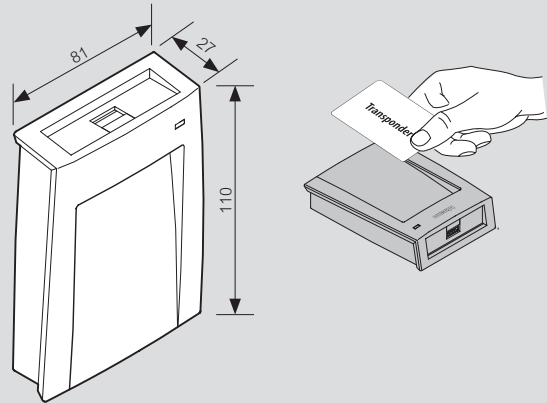
Accessories

PoE switch



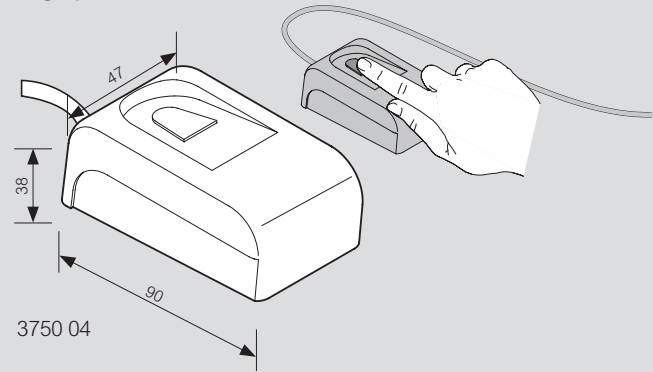
3750 02

Key fob and card reader



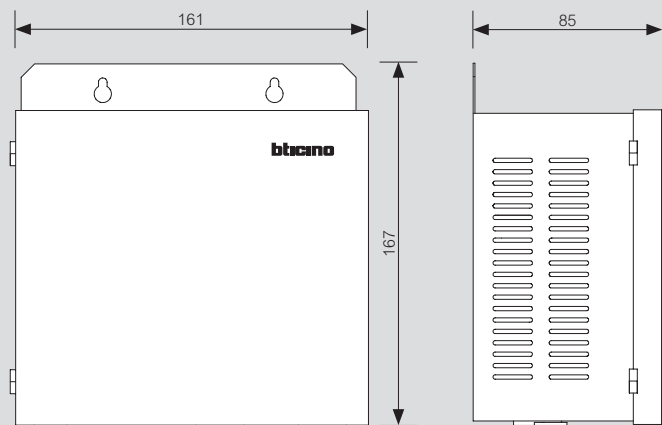
3750 03

Fingerprint reader



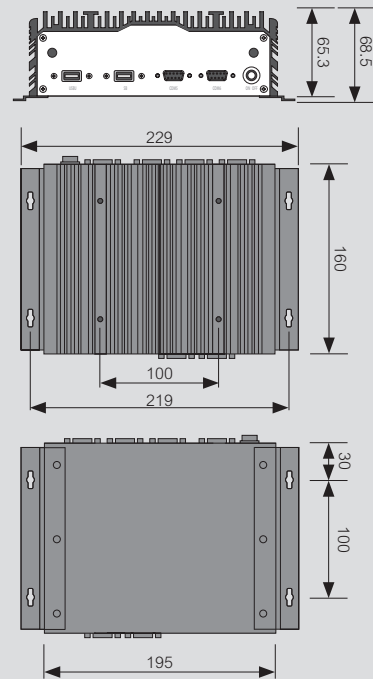
3750 04

Power supply



3750 05

Server DES



3750 01

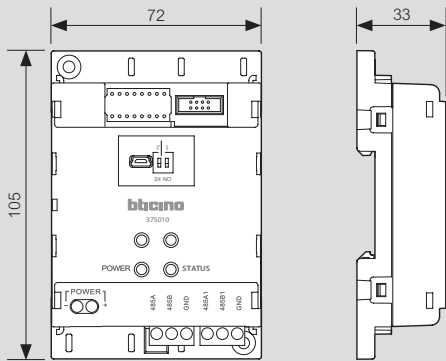
All dimensions (mm) are nominal

IP system

dimensions and technical information

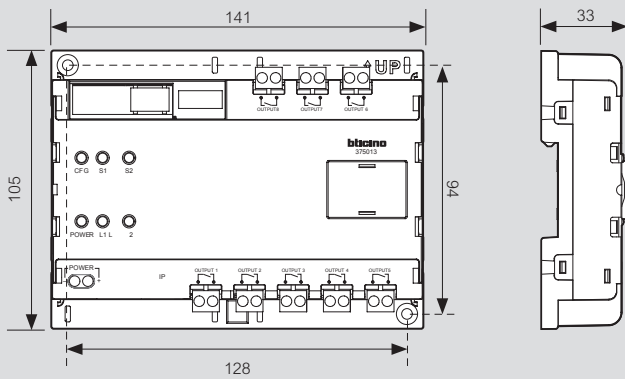
■ Accessories (continued)

Lift control RS 485 interface



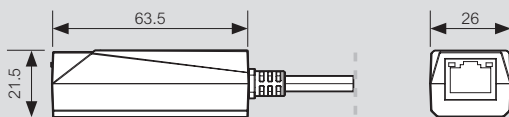
3750 10

Lift control relay interface



3750 13

PoE converter



3750 12

INNOVATIVE DESIGN AND SMART TECHNOLOGY



[linkedin/legranduk](https://www.linkedin.com/company/legranduk)



[twitter/legranduk](https://twitter.com/legranduk)



[facebook/legrand](https://www.facebook.com/legrand)



[legrand.co.uk](https://www.legrand.co.uk)

Quotations & Technical Support

0370 608 9020

Head office UK & Ireland

Legrand Electric Limited

Great King Street North,

Birmingham, B19 2LF

Email: doentry.uk.technical@legrand.com

bticino

A brand of  **legrand**