

**FLEXIBLE,  
ROBUST AND  
EFFECTIVE  
SOLUTIONS**

**IP 66 WEATHERPROOF  
FLOOR BOXES**



■ POWERED BY SPECIALISTS

**legrand®**

IP 66 WEATHERPROOF FLOOR BOXES

# THE MULTIPURPOSE SOLUTION SUITABLE FOR ANY ENVIRONMENT

IDEAL  
FOR INDOOR  
OR OUTDOOR  
PUBLIC AREAS...

... such as hotel receptions, swimming pools, shopping centres and airports, as well as residential applications including garages, outdoor patios etc.

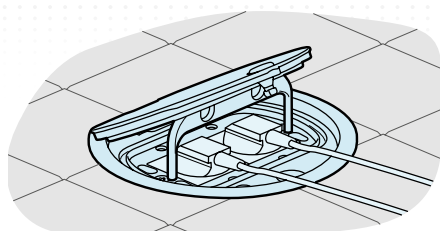
Legrand's four module IP 66 floor boxes are compatible with single socket outlets or RJ 45 data sockets from our Arteor range.

**HINGED LID**  
FOR INDOOR INSTALLATION

**FREQUENT AND  
SHORT TERM USE**



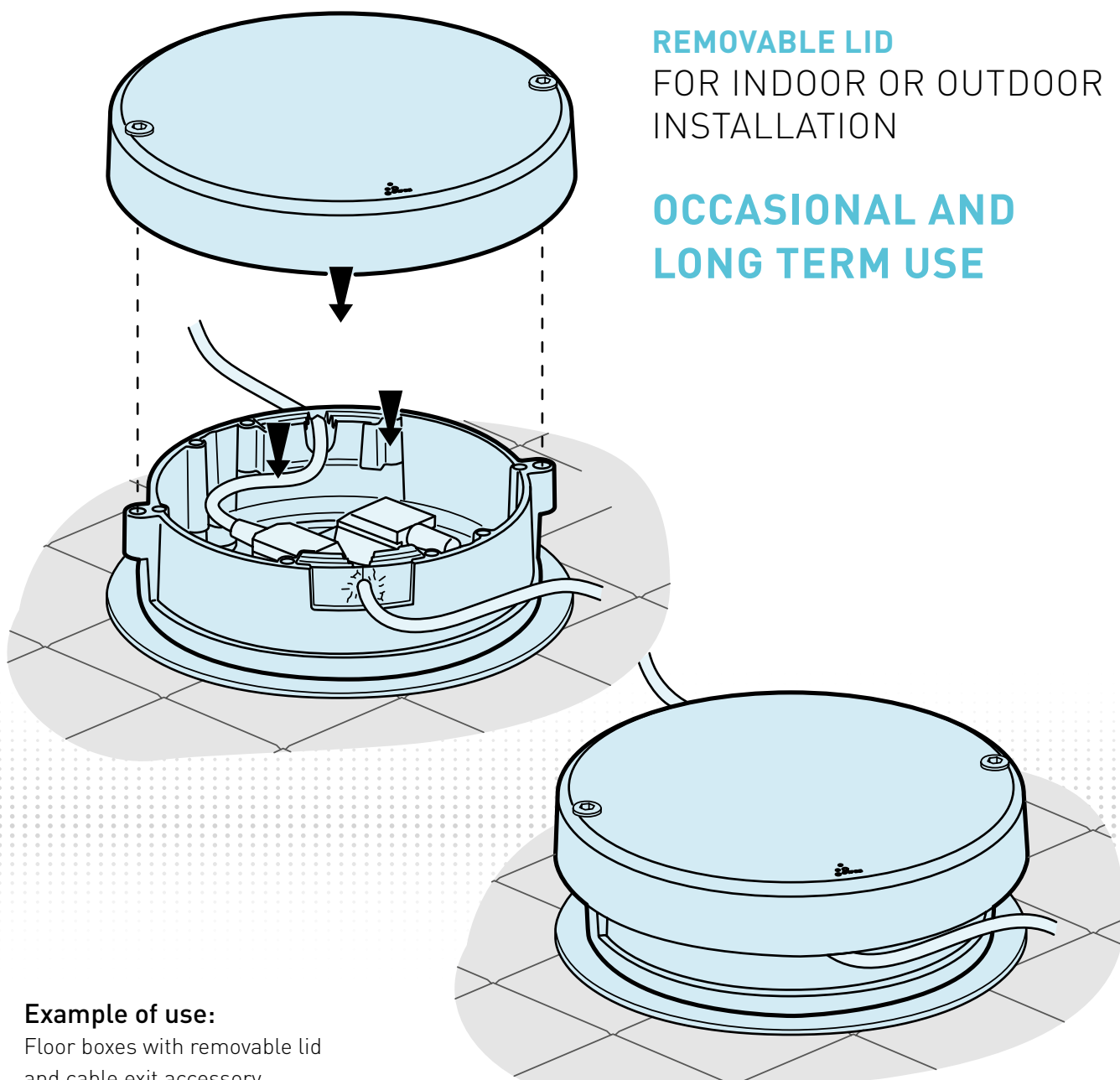
**Example of use:**  
Floor boxes with hinged lid





**REMOVABLE LID**  
FOR INDOOR OR OUTDOOR  
INSTALLATION

**OCCASIONAL AND  
LONG TERM USE**

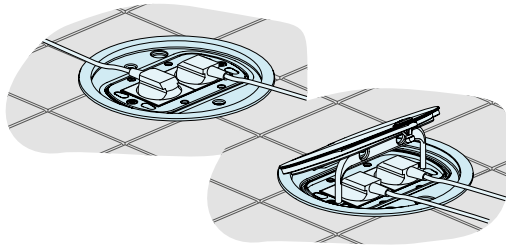


**Example of use:**  
Floor boxes with removable lid  
and cable exit accessory

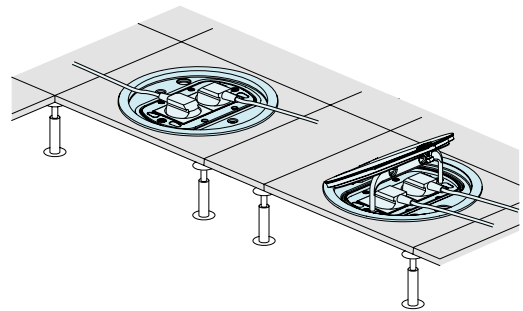
# A FLEXIBLE, ROBUST SOLUTION

FOR USE WITH CONCRETE AND RAISED FLOORS

## CONCRETE FLOOR



## RAISED FLOOR

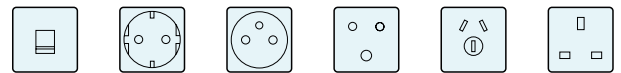


CAN BE EQUIPPED ACCORDING TO YOUR NEEDS

Different configurations are possible with the Arteor range of modular wiring accessories. Capacity up to four modules

British standard:

- 1 switched socket outlet + 1 RJ 45 data socket



## A LONG-LASTING SOLUTION FOR GREATER SAFETY

- **Metallic floor boxes with an impact resistance of IK 09.**  
They can resist loads up to 10000 N with lid closed
- **Excellent protection:**
  - 1 IP 66 with closed lid
  - 2 IP 54 with plugs connected, for removable lid floor boxes equipped with cable exit accessory
- **Complies to IEC / BS EN 60670-1 and IEC / BS EN 60670-23 standards**



# EASY TO INSTALL

# EASY TO USE

## FOR CONCRETE FLOORS

Adapts to different screed depths (65mm to 97mm) when fitted with the auto-adjustable back box (ordered separately)

- 1 Removable lid for adjusting the height depending on the thickness of the screed
- 2 Pre-cut cable entries for different diameters of conduit (16, 20 and 25 mm)



## FOR RAISED FLOORS

Quick and easy to fit, using a screwdriver, thanks to the fixing lugs **1** (floor thickness between 15 mm and 55 mm)



## DESIGNED FOR GREATER USER FLEXIBILITY

### HINGED LID

- 1 Easy access to socket outlets by opening the lid with a screwdriver
- 2 Locking system provides protection when lid is open and sockets are in use



### REMOVABLE LID

Lid held in place by fixing screws. The cable exit accessory can be easily fixed using two screws (Hex key) instead of the removable lid **1**



# IP 66 floor boxes - 4 modules

for raised or concrete floors



0880 61



0880 64



0880 69

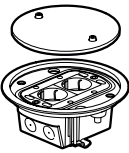
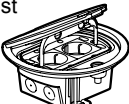


0880 62

Product modules included in images Cat. Nos. 0880 61/64 are for illustrative purposes only

Technical characteristics visit [www.legrand.co.uk](http://www.legrand.co.uk)

Conform to IEC / BS EN 60670-23

Pack	Cat. Nos.	IP 66 floor boxes
1	0880 61	<p>Supplied with lid and 4 module support frame for Arteor modules To be installed in flush mounting back box Cat.No. 0880 69 or directly in raised floor Overall Ø 170 mm IK 09 with the lid closed Resistance to loads with lid closed: 10000 N</p> <p><b>With removable lid - for indoor and outdoor use</b> Can be equipped with cable exit accessory Cat.No. 0880 62 IP 66 (when lid is closed) IP 54 (with cable exit accessory Cat.No. 0880 62 and plugs inserted into the sockets) Stainless steel finish</p> 
1	0880 64	<p><b>With hinged lid - for indoor use</b> Compatible with angled plugs only Can be equipped with key lock on request contact us on +44 (0) 345 605 4333 IP 66 (when lid is closed) Stainless steel finish</p> 

Pack	Cat. Nos.	
1	0880 69	<p>Auto-adjustable back box for installing IP 66 floor boxes in concrete floors Supplied with cover Accepts conduits Ø16, 20, 25 mm Minimum screed height: 65 mm</p>
1	0880 62	<p><b>Cable exit accessory</b> For removable lid weatherproof floor boxes Cat.No. 0880 61 Allows the passage of power cords when plugs are inserted into the sockets inside the floor box Compatible with angled plugs only IP 54 (when plugs inserted into the sockets)</p>

For information on Arteor modules see Wiring accessories product guide or visit Legrand's website [www.legrand.co.uk](http://www.legrand.co.uk)

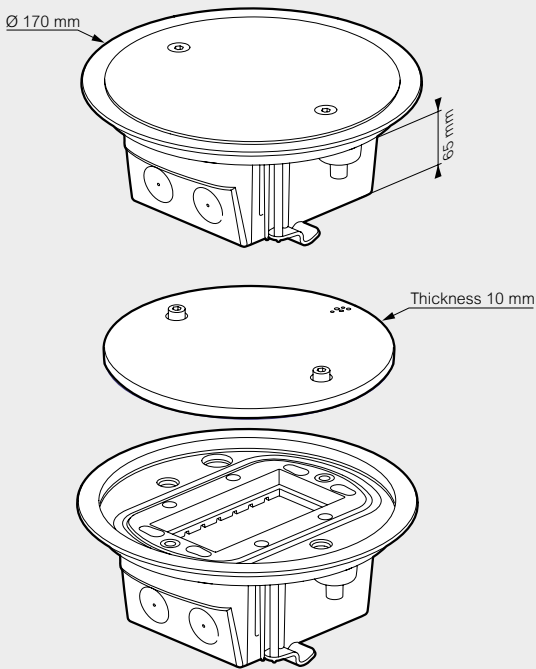


# IP 66 floor boxes - 4 modules

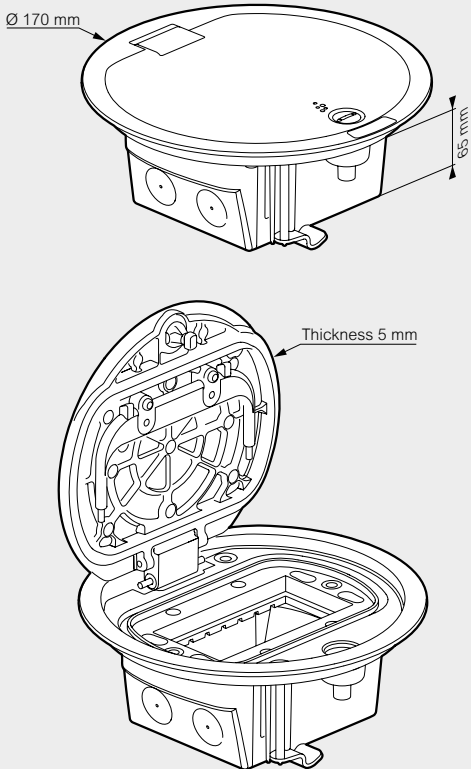
for raised or concrete floors

## Dimensions

Floor boxes Cat. No. 0880 61

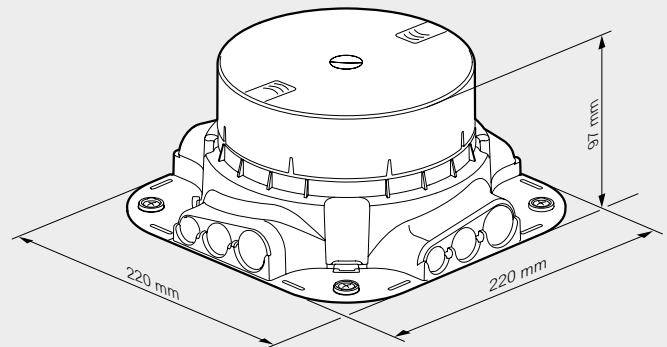


Floor boxes Cat. No. 0880 64

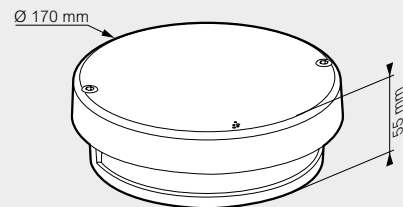


## Dimensions (continued)

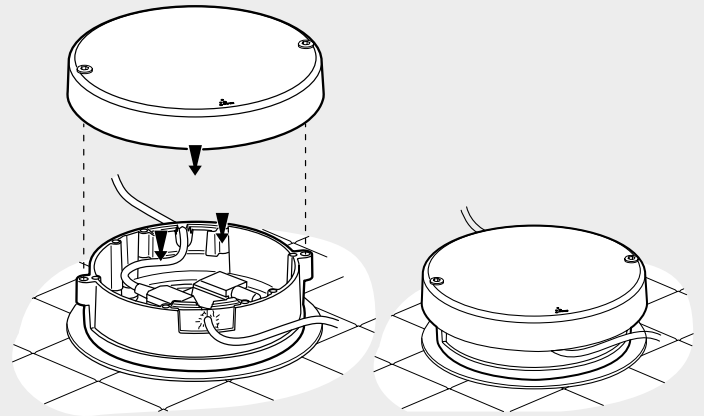
Flush-mounting back box Cat. No. 0880 69



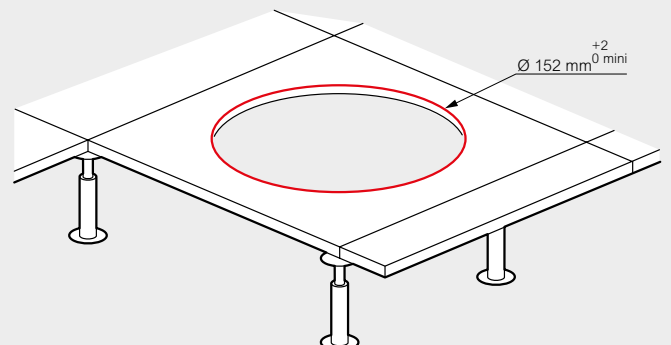
Cable exit accessory Cat. No. 0880 62



**Example of use for removable lid floor box with cable exit accessory Cat. Nos. 0880 61 + 0880 62**



**n**Floor cut for installation in raised floor



## Contact details

### United Kingdom

Great King Street North,  
Birmingham, B19 2LF

### Customer Services:

Tel: +44 (0) 345 605 4333

E-mail: [legrand.sales@legrand.co.uk](mailto:legrand.sales@legrand.co.uk)

### Quotations and Technical Support:

Tel: +44 (0) 370 608 9020

E-mail: [uk-cmsales@legrand.co.uk](mailto:uk-cmsales@legrand.co.uk)

### Republic of Ireland:

Tel: +353 (0) 1 295 9673

E-mail: [legrand.sales@legrand.co.uk](mailto:legrand.sales@legrand.co.uk)



FOLLOW  
US AT

@ [www.legrand.co.uk](http://www.legrand.co.uk)  
[www.legrand.ie](http://www.legrand.ie)  
 [www.youtube.com/legrandtvuk](http://www.youtube.com/legrandtvuk)  
 [@legrandunitedkingdom](https://www.facebook.com/legrandunitedkingdom)  
 [www.twitter.com/legranduk](https://www.twitter.com/legranduk)  
 [www.linkedin.com/  
company/legranduk](https://www.linkedin.com/company/legranduk)



### Head office (UK and Ireland):

Legrand Electric Limited  
Great King Street North, Birmingham, B19 2LF  
Tel: +44 (0) 370 608 9000  
Website: [www.legrand.co.uk](http://www.legrand.co.uk)

In accordance with its policy of continuous improvement, the Company reserves the right to change specifications and designs without notice. All illustrations, descriptions, dimensions and weights in this brochure are for guidance and cannot be held binding on the Company. All contents and design presentation included in this publication are © Legrand Electric Limited. All rights reserved. 2022.



This document is printed on sustainably sourced paper. Please recycle.

The Legrand logo is a registered trademark of the Legrand group of companies.